

New Release

Lithium Iron Phosphate Battery

All is safety, No fire, No explosion & Battery Capacity LED Indicator



12V/25Ah



Definition

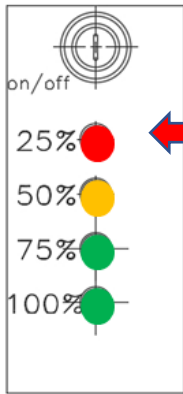
- **Rated Capacity:**
Rated capacity: Capacity=25Ah. At $25 \pm 2.5^\circ\text{C}$, It means the capacity value of being discharged by 1C/1 hour rate to end voltage 14.6V, which is signed capacity, the unit is Ah.
- **Standard Charge Method :**
Under $25 \pm 2.5^\circ\text{C}$, it can be charged to 14.6V with constant current of 1.0C(CC charge mode), and then, charged continuously with constant voltage of 14.6V until the charged current is 0.1C(CV charge mode).
- **Standard Discharge Method :**
At $25 \pm 2.5^\circ\text{C}$, it can be discharged to the voltage of 10.4V with constant current of 1.0C(CC discharge mode).



Preface

This product is used for power storage in power energy storage systems, using a pouch type of lithium iron phosphate battery as a single unit; the battery pack is modularly designed for easy portability, installation, maintenance, and energy storage modules. It consists of 8 single cells. Specifications For 2 parallel 4 strings, the power is 330Wh. Nominal voltage is 13.2V. The battery module is equipped with the protection circuit of the BMS, which is used for monitoring the voltage, current and other parameters of the module, and has a balancing function.

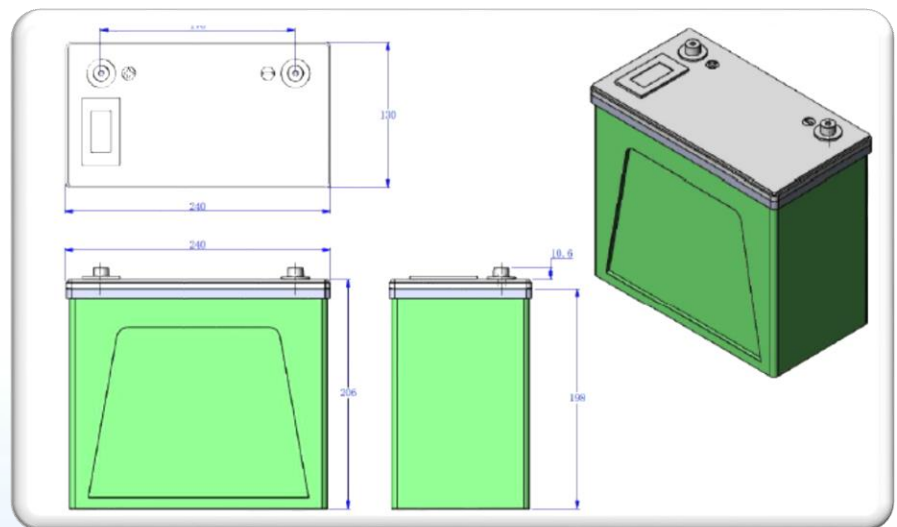
Energy capacity panel board image



Standard Specification

No.	Items	Specifications
1	Rated capacity	25Ah@1C(Discharge the battery from 14.6V to 10.4V by 1C current)
2	Rated voltage	13.2V
3	Cycle Life at 0.5C / 1.0C	>2000 cycles
4	Charging voltage	14.6V (+/- 0.05V)
5	Discharge cut-off voltage	10.4V (+/- 0.05V)
6	Standard charge current	1C (25A)
7	Standard discharge current	1C (25A)
8	Maximum charge current	1C (25A)
9	Maximum continuous discharge current	1.2C (30A)
10	Maximum instantaneous discharge current	2C (50A)(3sec)
11	Maximum charge and discharge operating temperature	Charge: 0°C ~ 45°C Discharge: 0°C ~ 65°C Storage: -20°C ~ 45°C
12	Internal resistance	$\leq 30 \text{ m}\Omega$ (AC Impedance , 1 kHz)
13	Battery dimension	L : 240mm/W : 130mm/H : 206mm (+/-3mm)
14	Weight	4.3kg (+/-200g)

Battery Module Type and Size Overview



Scope of Application

- (1) UPS.
- (2) Vehicle, motorcycle & low-speed car starter.
- (3) Solar sideway lighting, Solar energy storage, Solar insect lighting 、 Solar garden lighting.
- (4) E-toy, E-remote vehicle, E-Robot.
- (5) Moving Lighting, Hi-power LED lights, Marine Lighting, Hi-power lighting.
- (6) Moving power tools, Garden tools, Agriculture equipment's.
- (7) Instrument and testing equipment.
- (8) Home application, Springer-link, Health care machine, Emergency power source.
- (9) Fish & Leisure activities, camping, Business operating power source.
- (10) Communication & Security system.